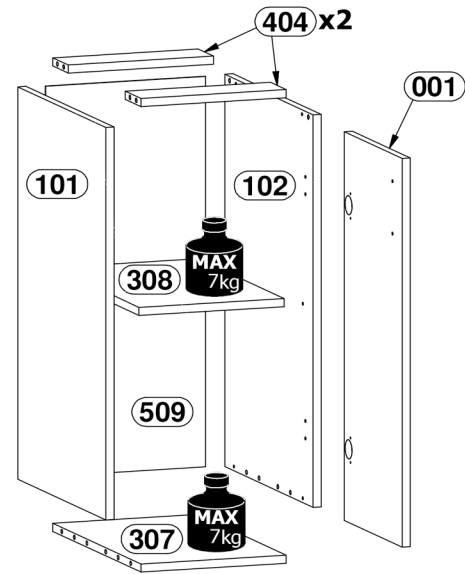
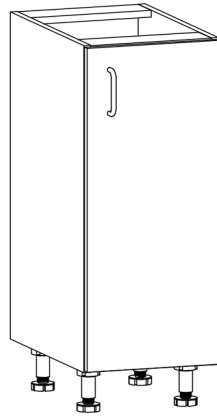


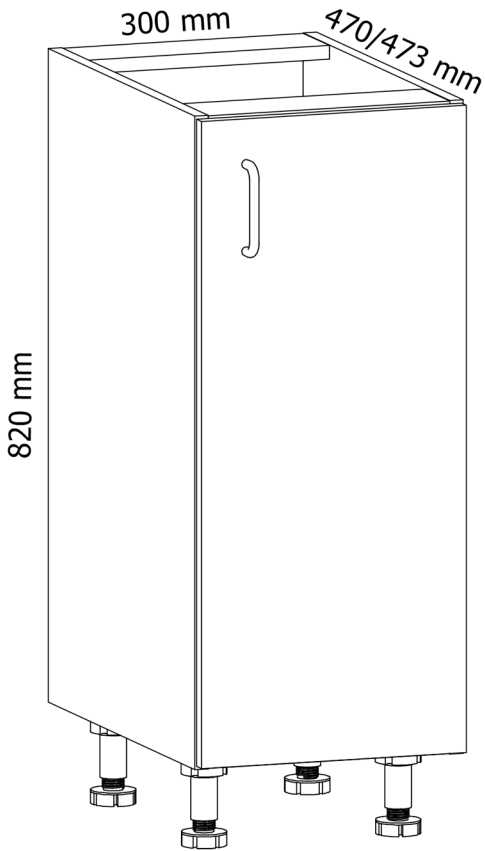
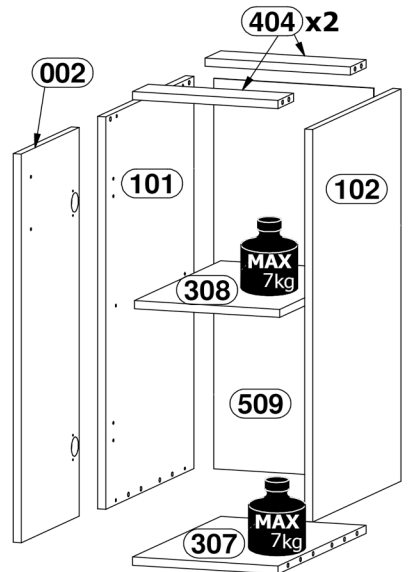
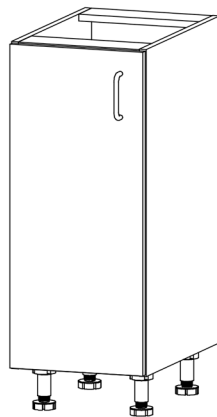
D30

S30

D30(P) / S30



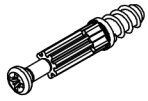
D30(L)



A1 x 12 Ø8x35mm	B1 x 8 Ø5x38mm	C1 x 8 Ø15x12mm	E4 x 4 9x11mm	G1 x 20 26mm
L1 x 4 Ø50x95mm	U x 1 	W2 x 20 Ø3,5x16mm	X x 2 	Zc1 x 2
Zc2 x 2 				

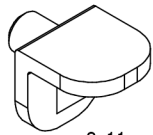
1

B1 x 8

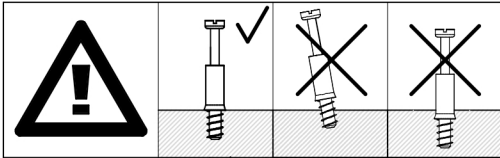
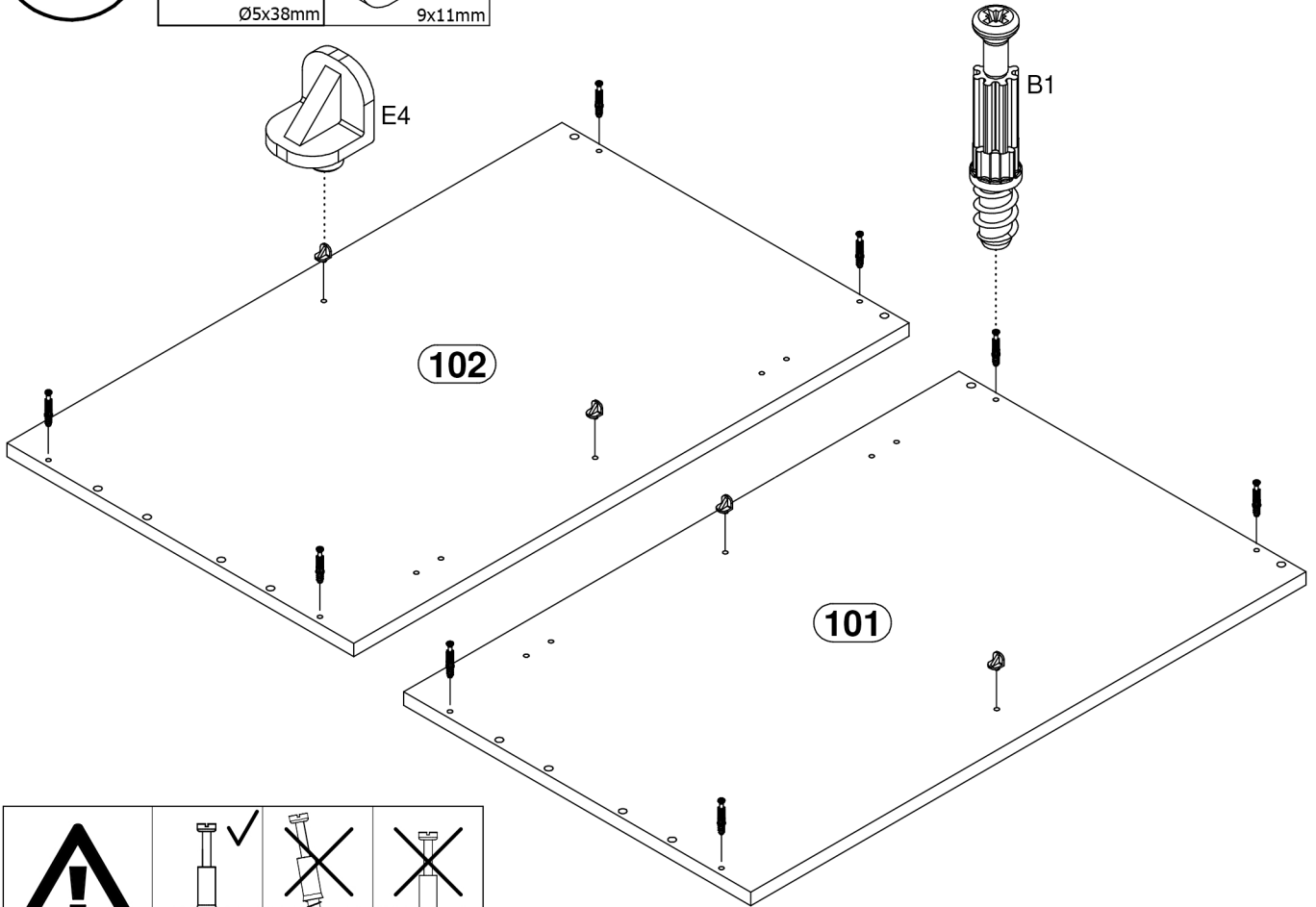
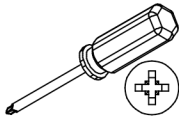


Ø5x38mm

E4 x 4

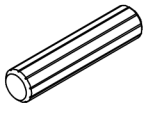


9x11mm



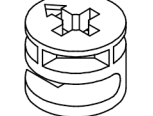
2

A1 x 12

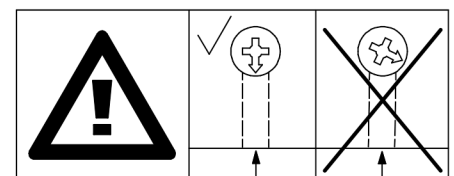
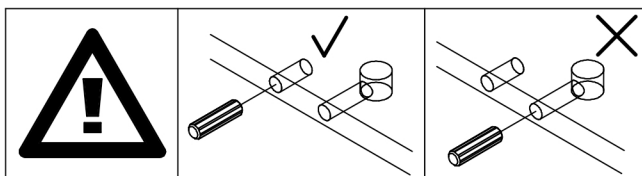
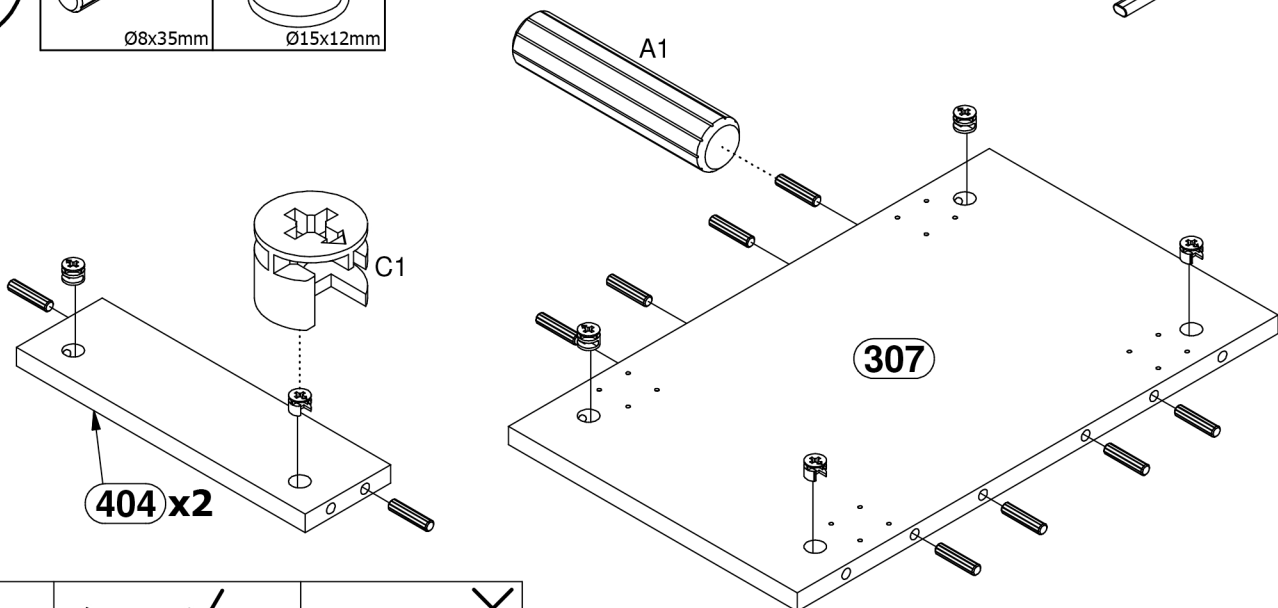
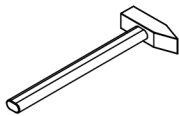


Ø8x35mm

C1 x 8

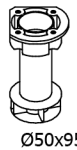


Ø15x12mm



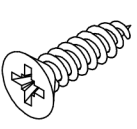
3

L1 x 4

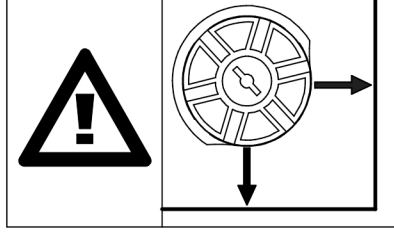
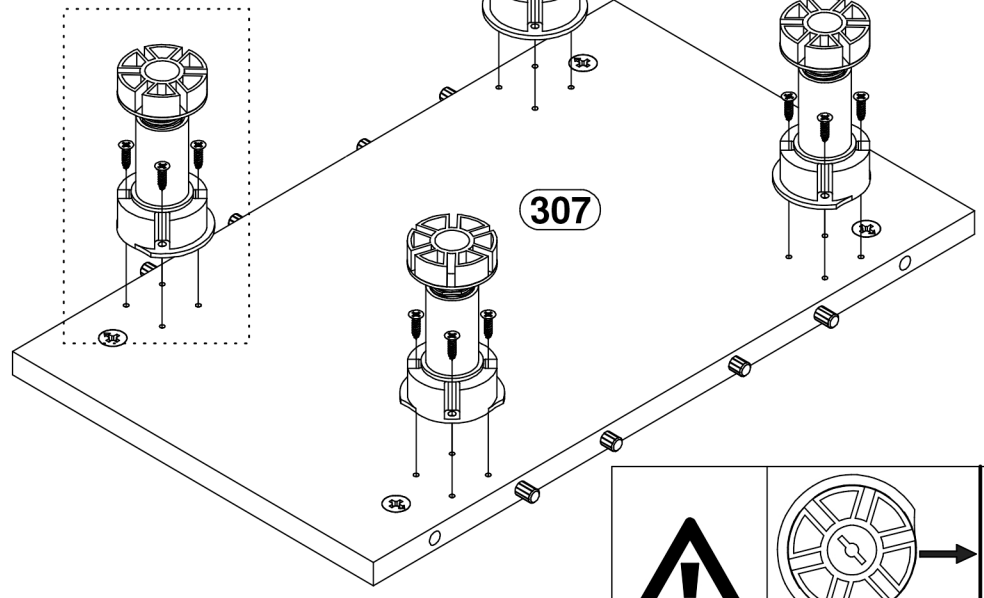
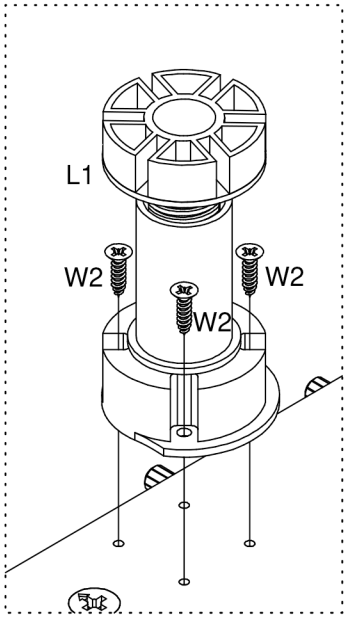
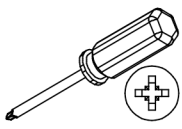


Ø50x95mm

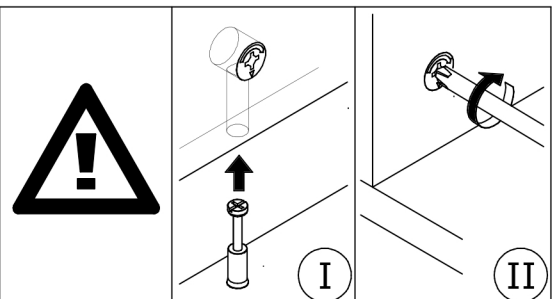
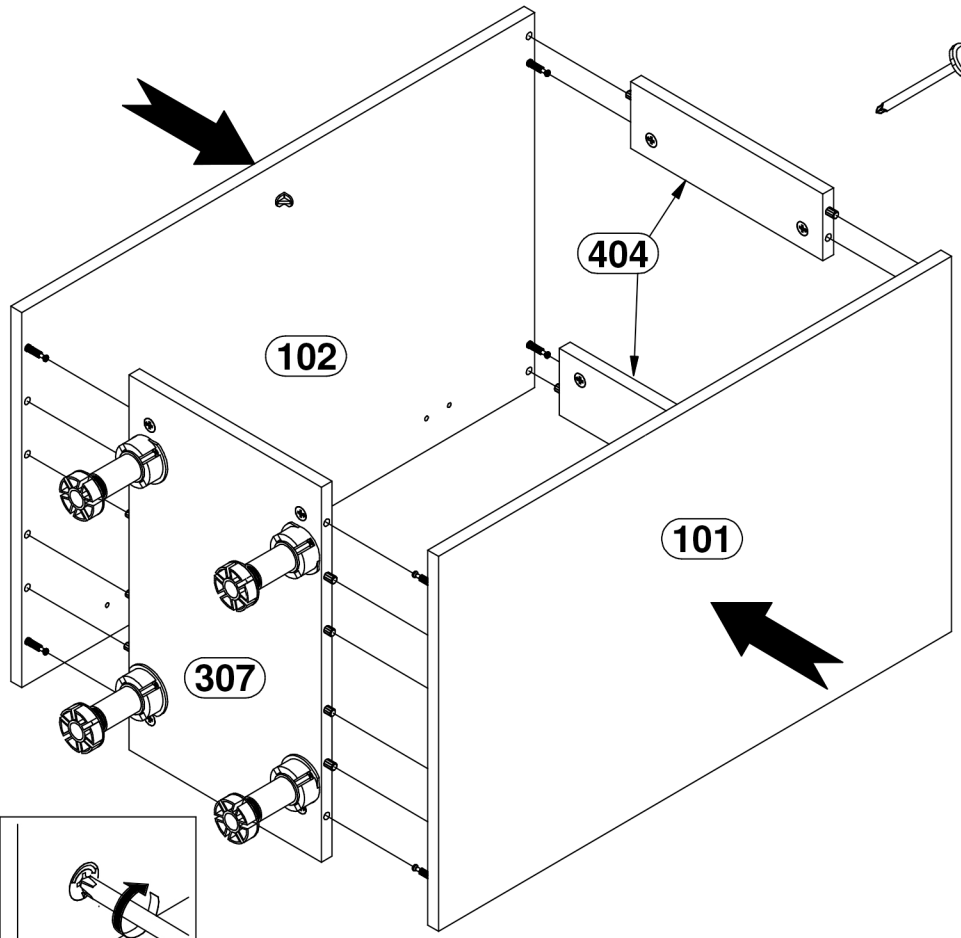
W2 x 16



Ø3,5x16mm

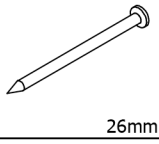


4

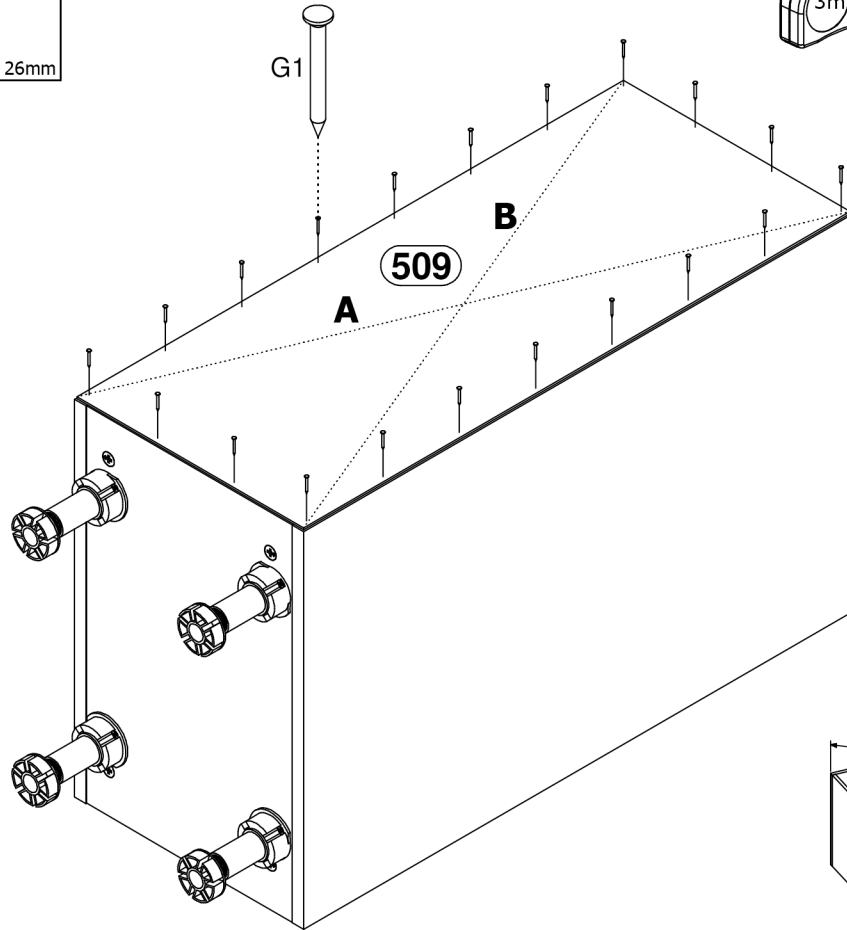
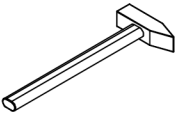
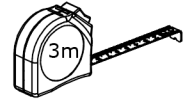


5

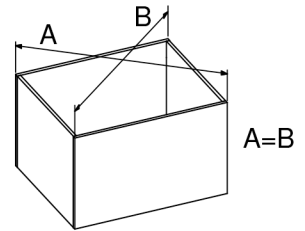
G1 x 20



26mm

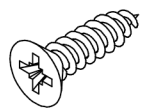


A=B ≡ 90°



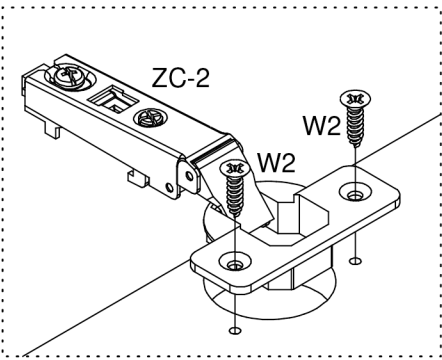
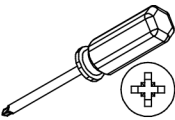
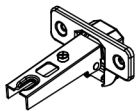
6

W2 x 4



Ø3,5x16mm

Zc2 x 2

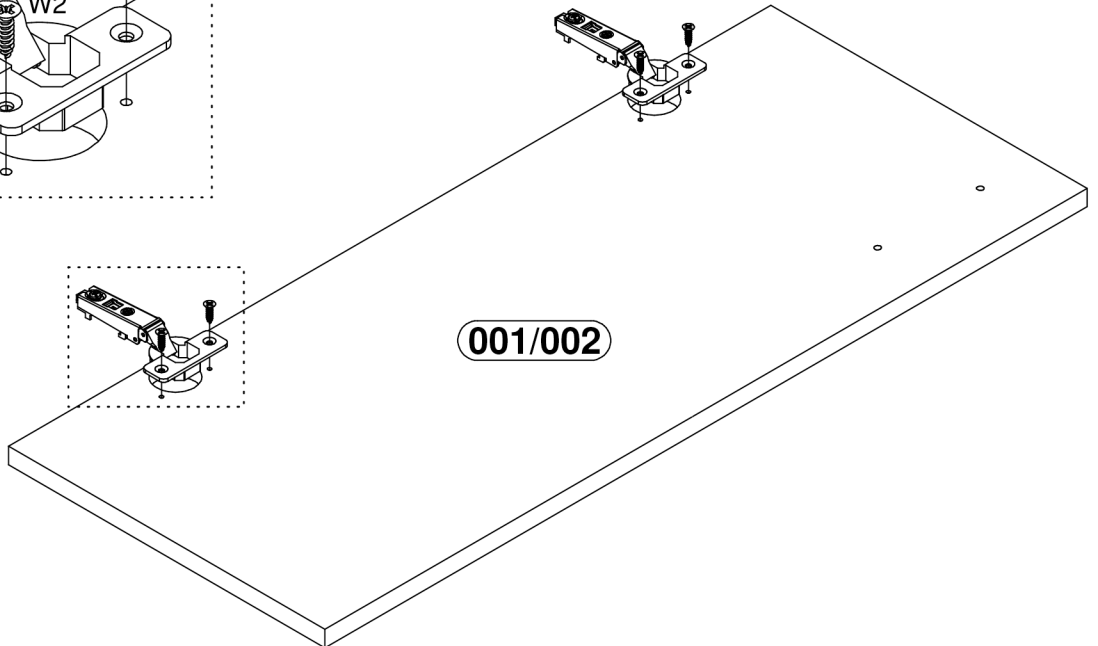
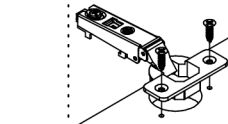


ZC-2

W2

W2

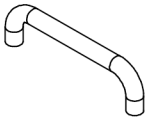
W2



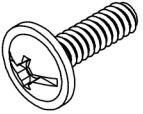
001/002

7

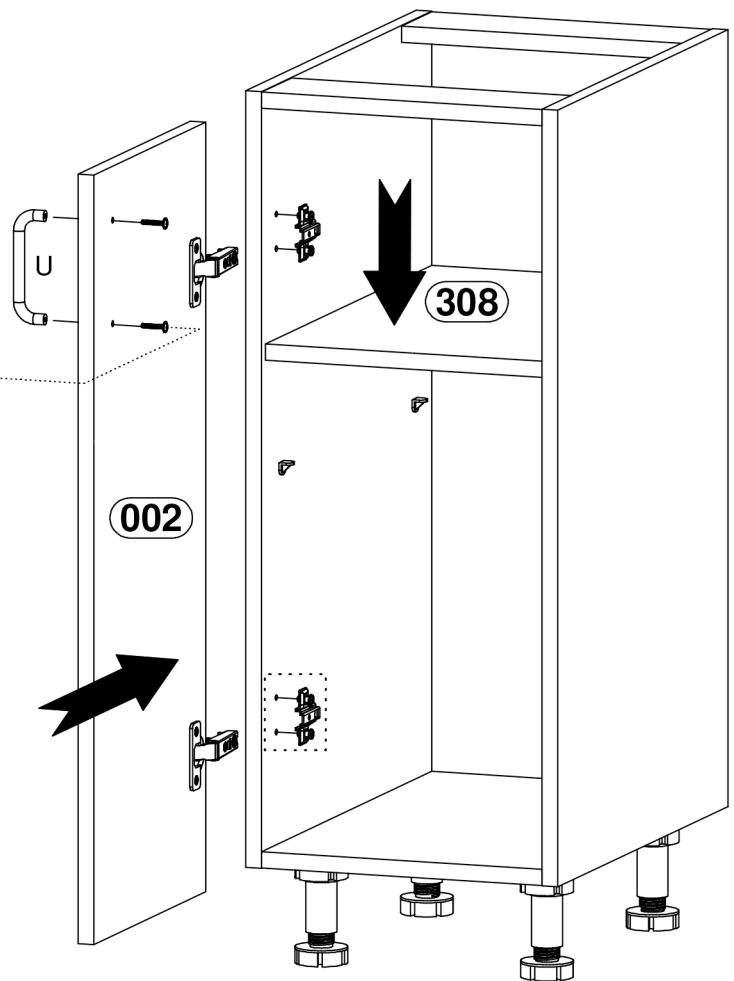
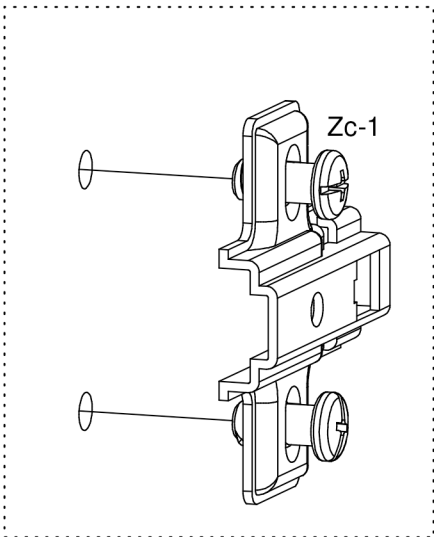
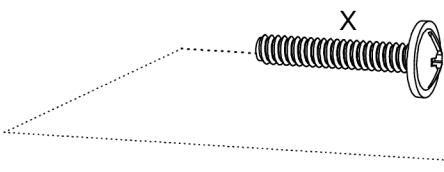
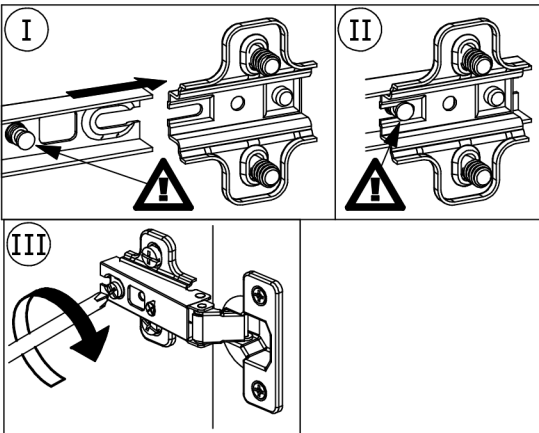
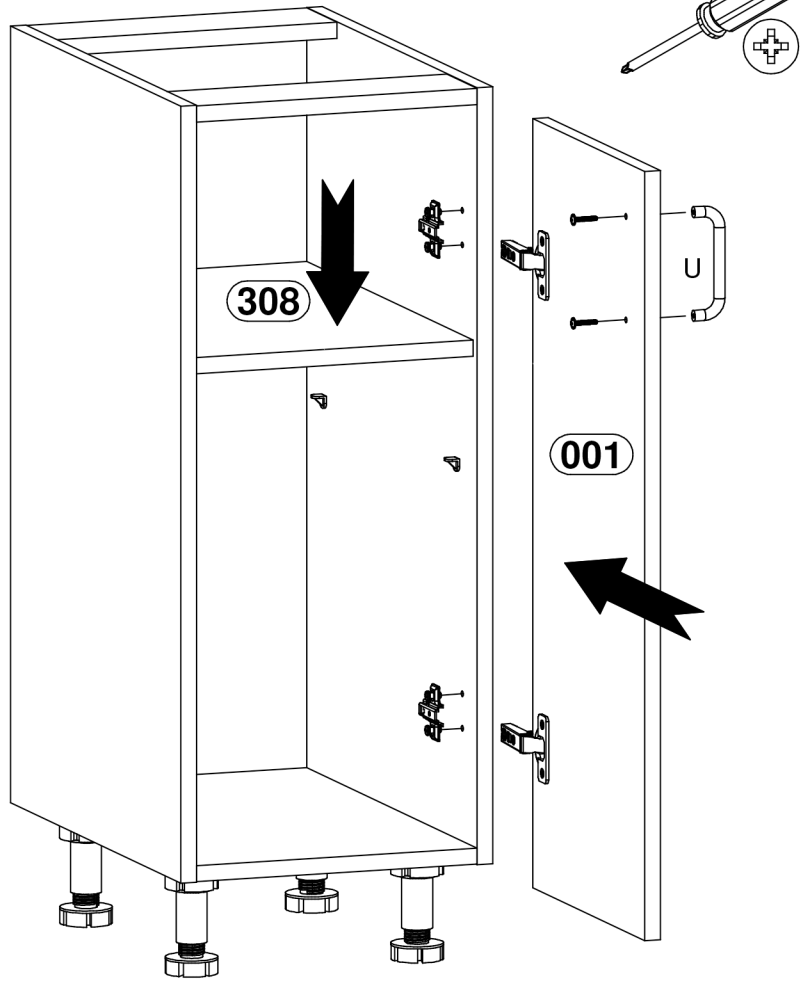
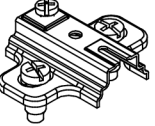
U x 1



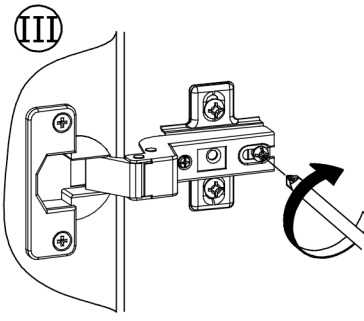
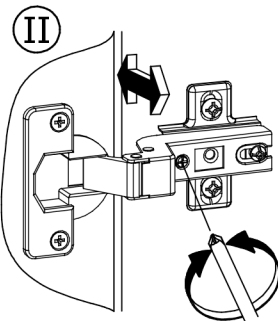
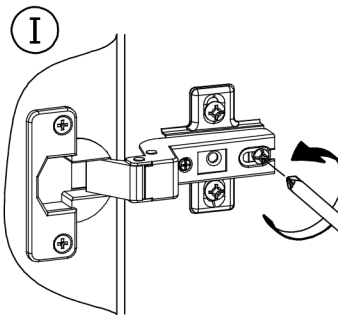
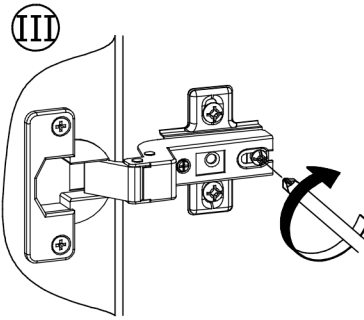
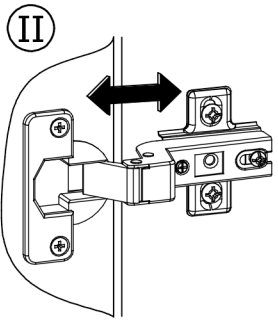
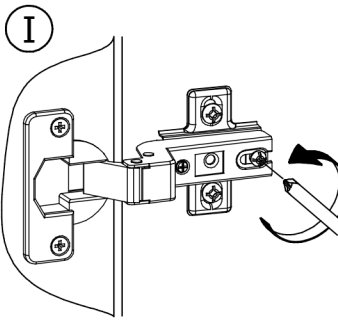
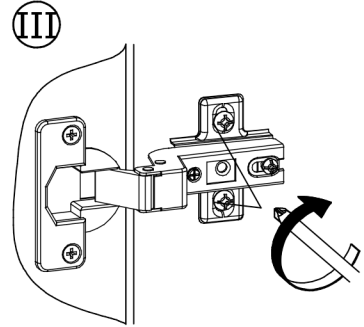
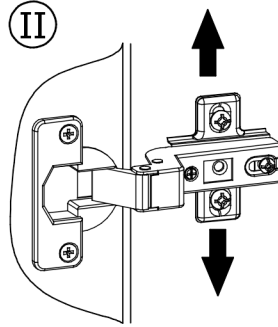
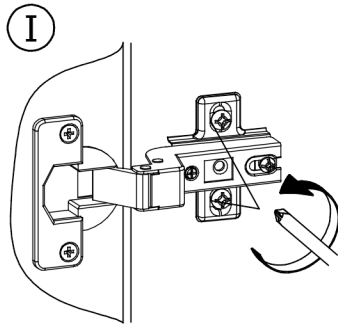
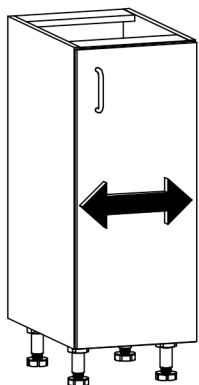
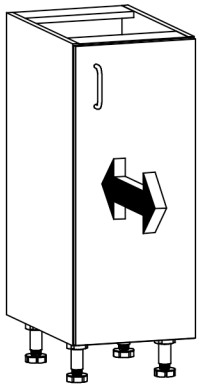
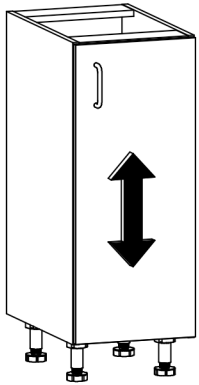
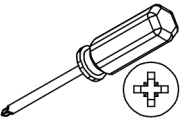
X x 2

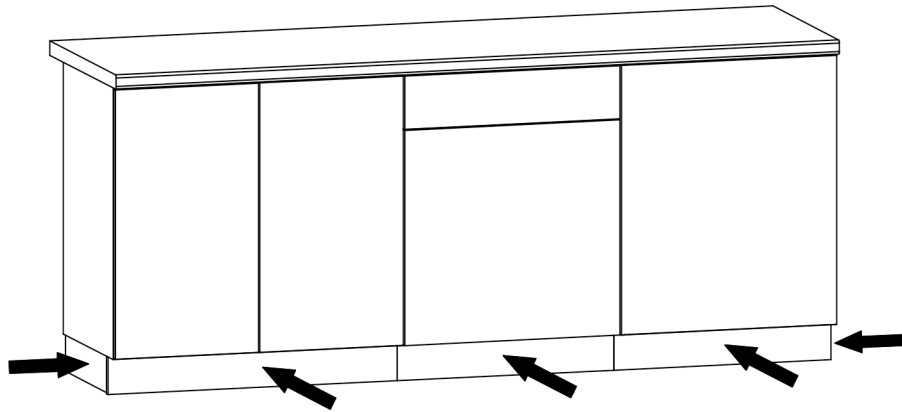
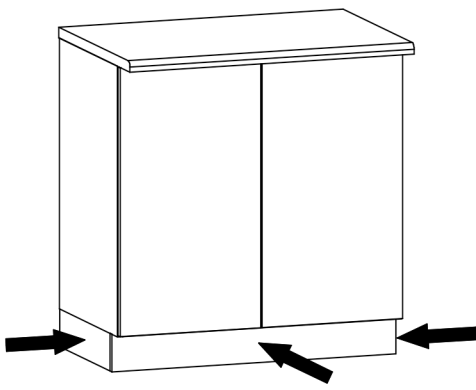
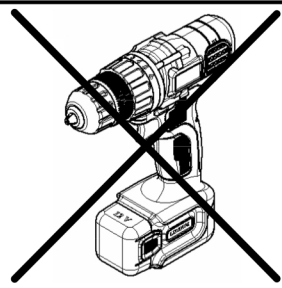
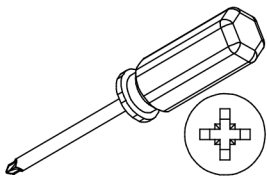


Zc1 x 2

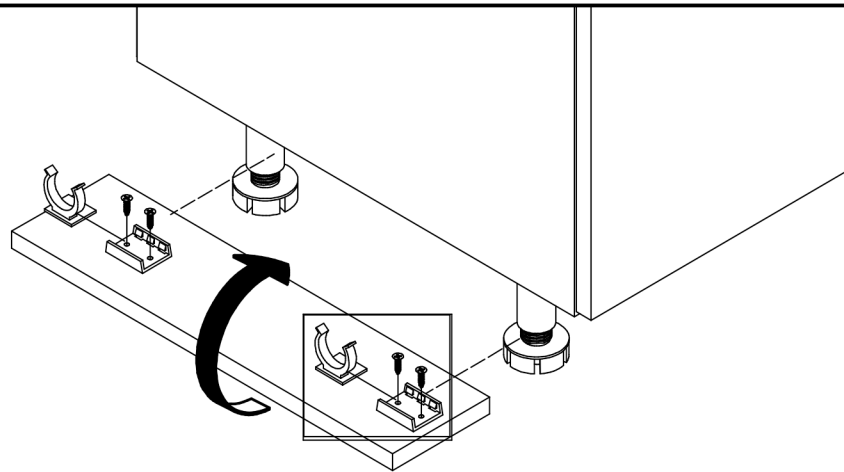
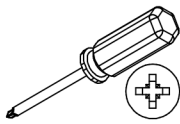


8

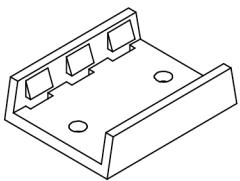




C1

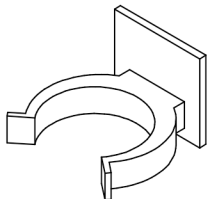


L6-a x4



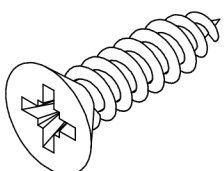
38x30x10mm

L6-b x4

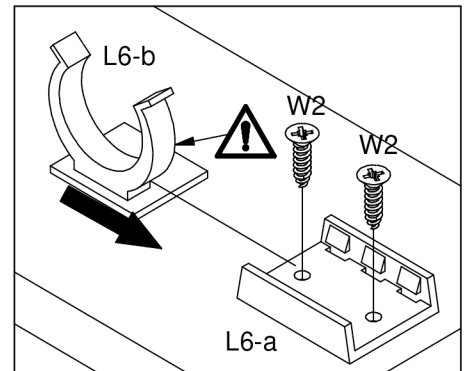


35x32x25mm

W2 x8

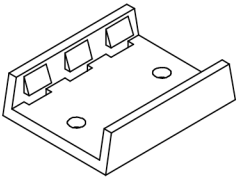


Ø3,5x16mm



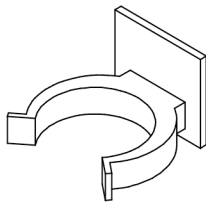
C2

L6-a x2



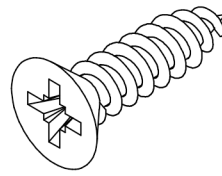
38x30x10mm

L6-b x2



35x32x25mm

W2 x4



Ø3,5x16mm

